

# SYSTEM: FIBERSHIELD

## MODEL: FIBERSEAL



### Product description

In case of an alarm, self-closing smoke protection closure of textile construction or non-heat-insulating fire and smoke protection curtain in vertical installation position and closing direction.

<b>Type</b>	Smoke protection closure of textile construction or non-thermally insulating fire and smoke protection closure
<b>Verification</b>	CE identification pursuant to EN 16034:2014 in conjunction with EN 13241:2003+A2:2016
<b>Closing direction</b>	From top to bottom
<b>Fire resistance</b>	E 0 – EW 120   tested in compliance with EN 1634-1:2014+A1:2018   classified according to EN 13501-2:2016
<b>Smoke protection</b>	$S_a, S_{200}$   tested in compliance with EN 1634-3:2005-01   classified according to EN 13501-2:2016
<b>Closing cycles</b>	C, C1, C2   tested in compliance with EN 12605:2000-08 and EN 12604:2017-12   classified according to EN 13501-2:2016
<b>Fire behaviour of the fabric</b>	A2-s1, d0; B-s1, d0; E-d2   tested in compliance with ISO 1716 and EN 13823 or ISO 11295-2   classified according to EN 13501-1:2018
<b>Environment conditions</b>	Special environmental conditions are not taken into account (e.g. humidity > 80 %, ambient temperature < 5 °C and > 45 °C, wind loads etc.).
<b>Visible surfaces</b>	galvanized RAL - smooth - silk gloss - standard shade NCS - standard shade

## Size dimensions and system structure

The combination of classifications or the ratio of clear system width to clear system height may reduce the stated maximum dimensions and the dimensions of the housing and guide rails may vary. The specifications on the quotation apply.

Classification	Size max.* [y x r] in mm	Fabric	Wall thickness** in mm	Housing	Guide rail [a(+c) x b]
E 30, EW 30	8792 x 5000	Heliotex 9	150	Type A, B, C, D, E	Type 1, 2
E 60, EW 60	8792 x 5000	Heliotex 9	150	Type A, B, C, D, E	Type 1, 2
E 90, EW 90	8792 x 5000	Heliotex 9	150	Type A, B, C, D, E	Type 1, 2
E 120	8792 x 5000	Heliotex 9	175	Type A, B, C, D, E	Type 1, 2
E 120, EW 120	4340 x 2700	Heliotex 12	175	Type A, B, C, D, E	Type 1, 2
C0, C1	7500 x 5000	Protex 600 2S			
C0, C1, C2	7002 x 4500	Protex 1100 2S			
C0, C1, C2	7500 x 5000	Heliotex 9			
S <sub>a</sub> ***	103,6 m	Protex 600 2S			
S <sub>a</sub> ***	117,2 m	Protex 1100 2S	150		
S <sub>a</sub> ***	76,8 m	Heliotex 9			
S <sub>200</sub> ****	Surface 25.2 m <sup>2</sup> Joint length from 20.1 m	Protex 600 2S Protex 1100 2S Heliotex			

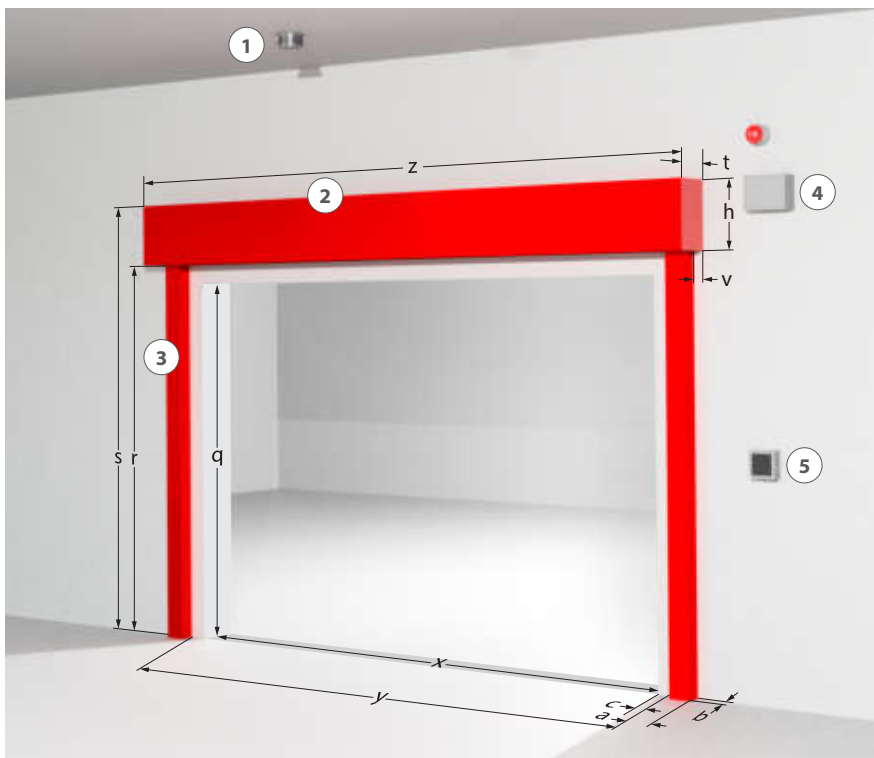
The installation situation must comply with the building code requirements of the country of installation. The fire resistance of a ceiling or wall support structure and the adjacent components must at least correspond to that of the fire and/or smoke protection closure, fire and/or smoke protection curtain. Evidence of the stability and serviceability of the adjacent walls and structural components must be provided under general ambient conditions and in the event of fire. See also notes on standard supporting structure in EN1366-7:2004 and EN1363-1:2020 respectively. The fire protection system must not be subjected to any additional load other than its own weight, even in the event of fire.

\* deviations from size dimensions on request

\*\* tested wall types according to the installation instructions

\*\*\* normative: 3-sided without end strip must not be exceeded!

\*\*\*\* normative: 4-sided must not be exceeded!



### Key: System components:

- 1 = Smoke detector
- 2 = Housing
- 3 = Guide rail
- 4 = Control module
- 5 = Trigger device (see the valid general type approval of the brake system for design details of the electrical components.)

### Key: Dimensions

#### Structure

- q = Clear shell construction height
- x = Clear shell construction width

#### System

- s = System height
- r = Clear system height
- y = Clear system width
- z = System width

#### Housing

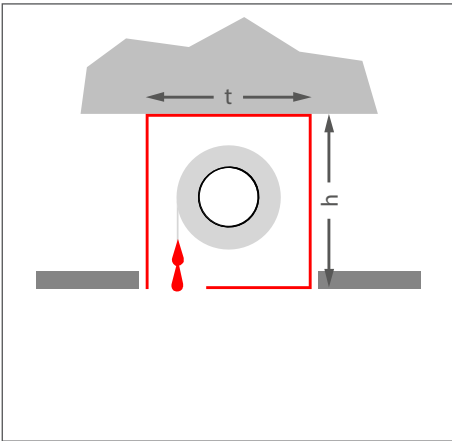
- t = Depth
- h = Height
- v = Offset between housing and guide rail

#### Guide rail

- a = Width
- b = Depth
- c = Cover

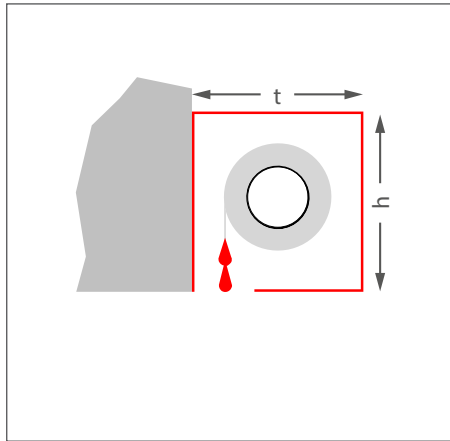
## Housing

Ceiling mounting



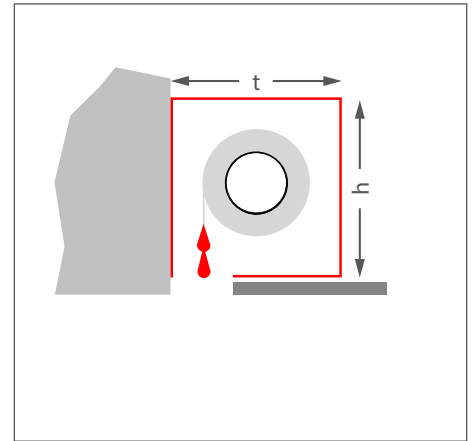
Type A:  $t = 285 \text{ mm}$ ,  $h = 200 \text{ mm}$   
 Type B:  $t = 350 \text{ mm}$ ,  $h = 260 \text{ mm}$   
 Type C:  $t = 190 \text{ mm}$ ,  $h = 290 \text{ mm}$   
 Type D:  $t = 290 \text{ mm}$ ,  $h = 360 \text{ mm}$   
 Type E:  $t = 380 \text{ mm}$ ,  $h = 420 \text{ mm}$

Wall mounting



Type B:  $t = 350 \text{ mm}$ ,  $h = 260 \text{ mm}$   
 Type C:  $t = 190 \text{ mm}$ ,  $h = 290 \text{ mm}$   
 Type D:  $t = 290 \text{ mm}$ ,  $h = 360 \text{ mm}$   
 Type E:  $t = 380 \text{ mm}$ ,  $h = 420 \text{ mm}$

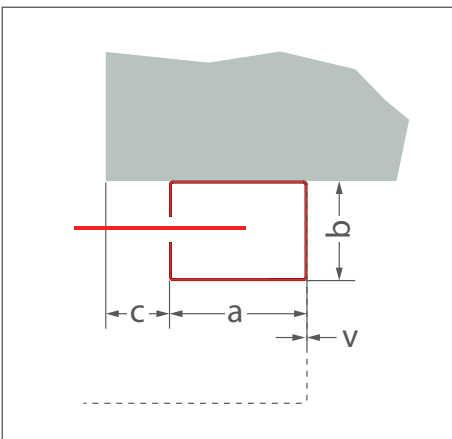
Wall mounting suspended ceiling with cover



Type B:  $t = 350 \text{ mm}$ ,  $h = 260 \text{ mm}$   
 Type C:  $t = 190 \text{ mm}$ ,  $h = 290 \text{ mm}$   
 Type D:  $t = 290 \text{ mm}$ ,  $h = 360 \text{ mm}$   
 Type E:  $t = 380 \text{ mm}$ ,  $h = 420 \text{ mm}$

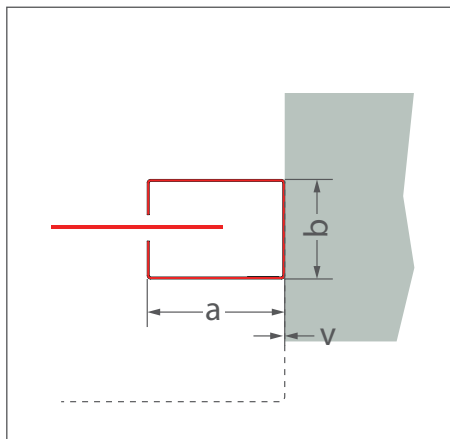
## Guide rails

Type 1 (wall mounting)



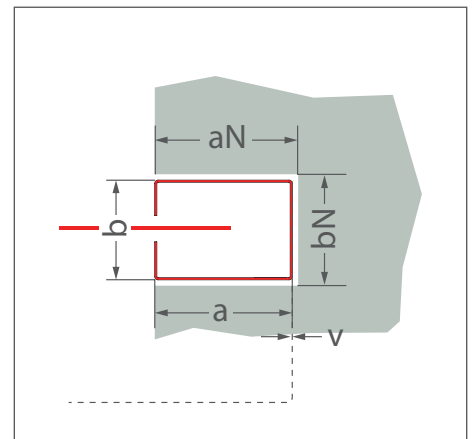
$a = 104 \text{ mm}$   
 $b = 74 \text{ mm}$   
 $c \geq 0 \text{ mm}$   
 $v = 0 \text{ mm}$

Type 2 (embrasure mounting)



$a = 104 \text{ mm}$   
 $b = 74 \text{ mm}$   
 $v = 0 \text{ mm}$

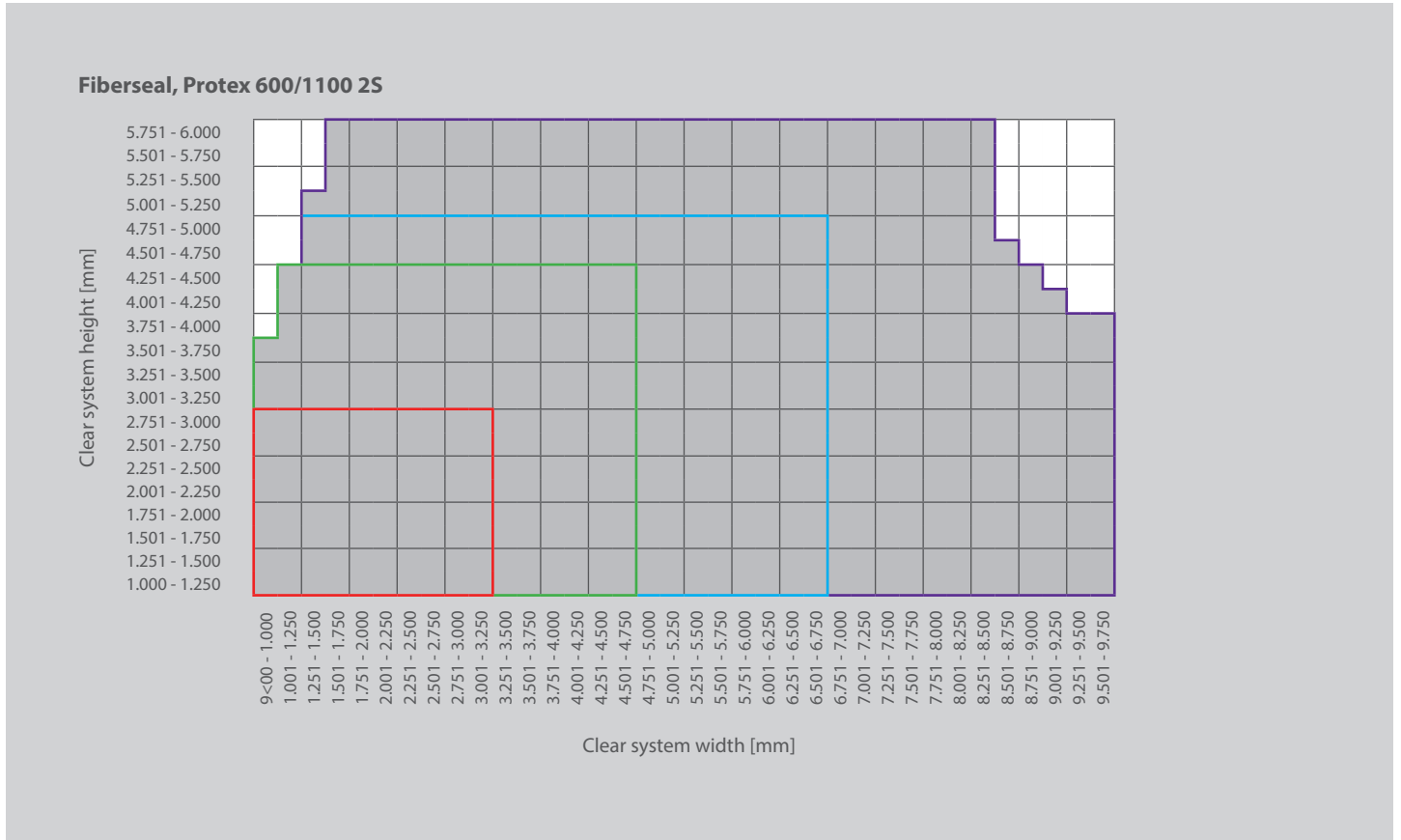
Type 2 (niche mounting)



$a = 104 \text{ mm}$        $aN = 120 \text{ mm}$   
 $b = 74 \text{ mm}$        $bN = 100 \text{ mm}$   
 $v = 0 \text{ mm}$

Note: Dotted line for the winding shaft receptacle (housing)

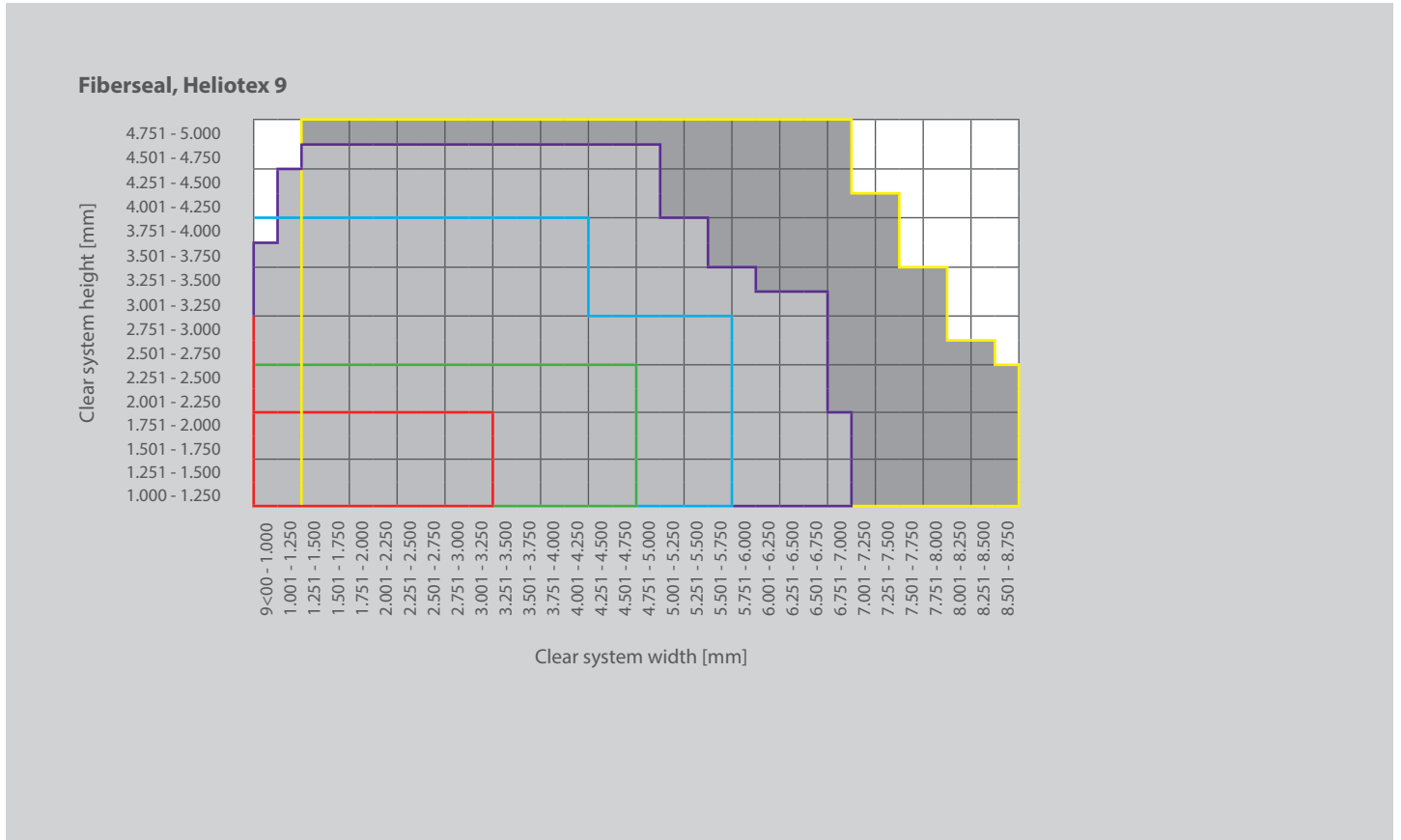
## Overview of Housings



Housing types	Housing depth	Housing height	Mounting type
Type A	285 mm	200 mm	Ceiling
Type B	350 mm	260 mm	Wall, Ceiling
Type C	190 mm	290 mm	Wall, Ceiling
Type D	290 mm	360 mm	Wall, Ceiling

Standard housing

## Overview of Housings



Housing types	Housing depth	Housing height	Mounting type
Type A	285 mm	200 mm	Ceiling
Type B	350 mm	260 mm	Wall, Ceiling
Type C	190 mm	290 mm	Wall, Ceiling
Type D	290 mm	360 mm	Wall, Ceiling
Type E	380 mm	420 mm	Wall, Ceiling

  Standard housing